

TRANSPAFORZA®
Canopies

TF - Plus Carport Assembly

Please Read Before Installation



semcom
Designer - Developer - Producer

www.tfsem.com

IMPORTANT

Please read these instructions carefully before you start to assemble this carport.
Please carry out the steps in the order set out in these instructions.
Keep these instructions in a safe place for future reference.

Care and Safety advice

- * Please follow the instructions as listed in this manual.
- * Sort the parts and check against the list of contents.
- * For safety purposes we strongly recommend that the product will be assembled by at least two people
- * Some parts have metal edges. Please be careful when handling components.
- * Always wear gloves, shoes and safety goggles during assembly.
- * Do not attempt to assemble the carport in windy or wet conditions.
- * Dispose of all plastic bags safely - keep them out of reach of small children.
- * Keep children away from the assembly area.
- * Do not attempt to assemble the carport if you are tired,
- * When using a stepladder or power tools, ensure that you follow the manufacturer's safety advice.
- * Do not climb or stand on the roof.
- * Heavy articles should not be leaned against the poles.
- * Please consult your local authorities if any permits are required to erect carport.
- * Keep roof and gutters clean of snow, dirt & leaves.
- * Heavy amounts of snow on roof can damage the carport making it unsafe to stand below or nearby.
- * This product was designed and produced to be a carport only.

MAINTENANCE NOTES

1. In case of a defective or damaged part, or for any other questions concerning the product, please contact the manufacturer directly.
2. Please have the parts list and part numbers on hand when ordering or requesting replacement parts.
3. When cleaning, use mild soap or detergent, warm water, and a washcloth or sponge.
4. While the product is designed for 4 seasons use, it is strongly recommended to clear snow from the roof on a regular basis.

LIMITATIONS ON THE WARRANTY

1. The product is not warranted against damages due to vandalism, abuse, or falling or thrown objects.
2. The product is not warranted against damages due to extreme weather conditions, such as thunderstorms, hail, strong wind or snow storms, or any other acts of God.
3. The product is only warranted in the event it is installed in accordance with the Transpa Forza written instructions enclosed with the product.
4. The product is not warranted in the event it has been improperly anchored.

PREPARATION OF GROUND

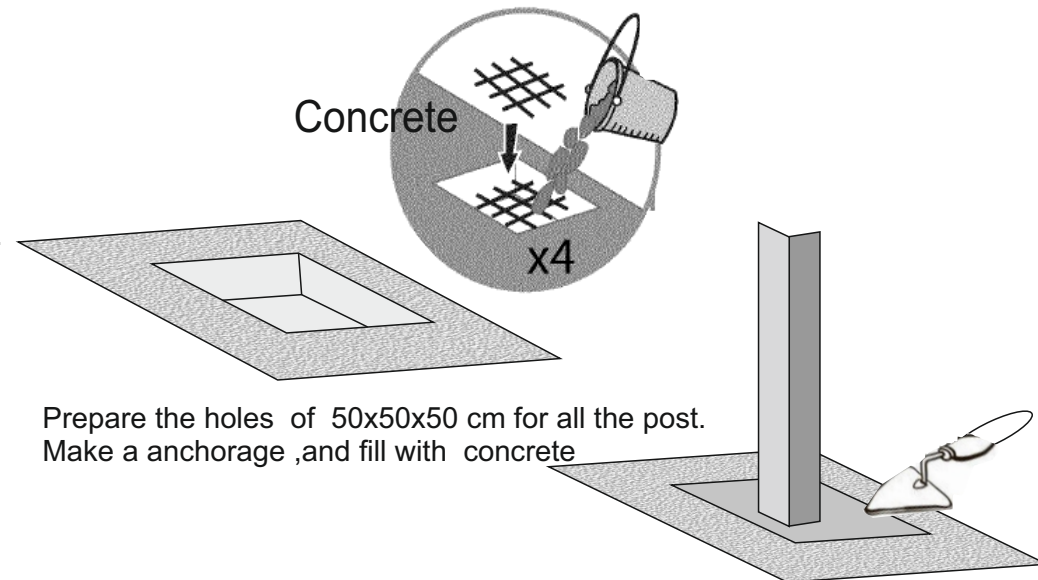
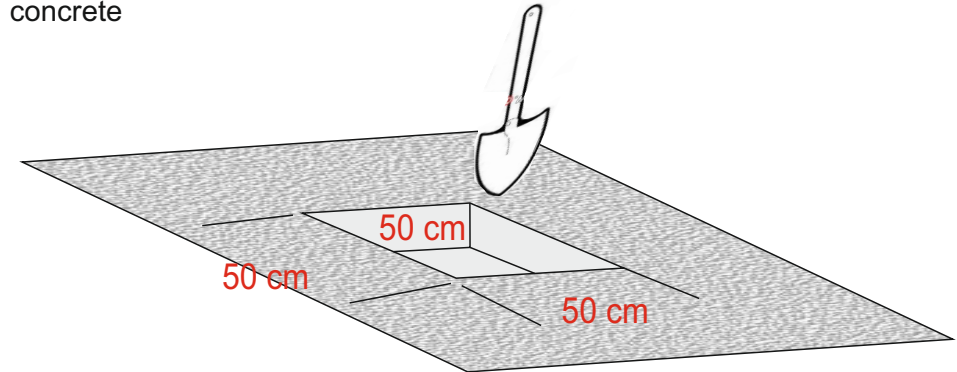


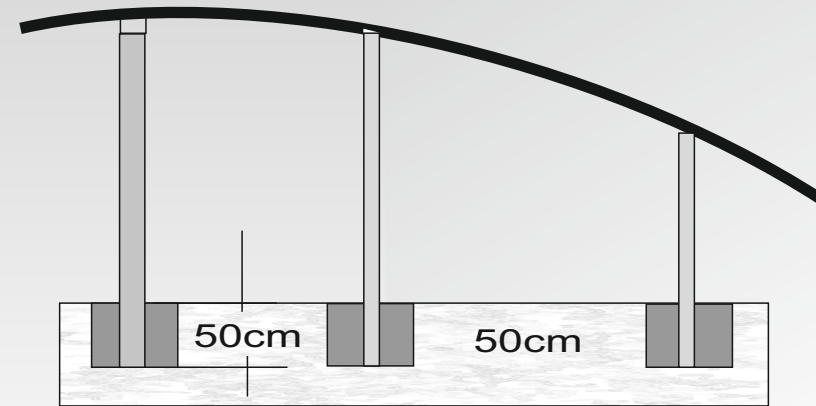
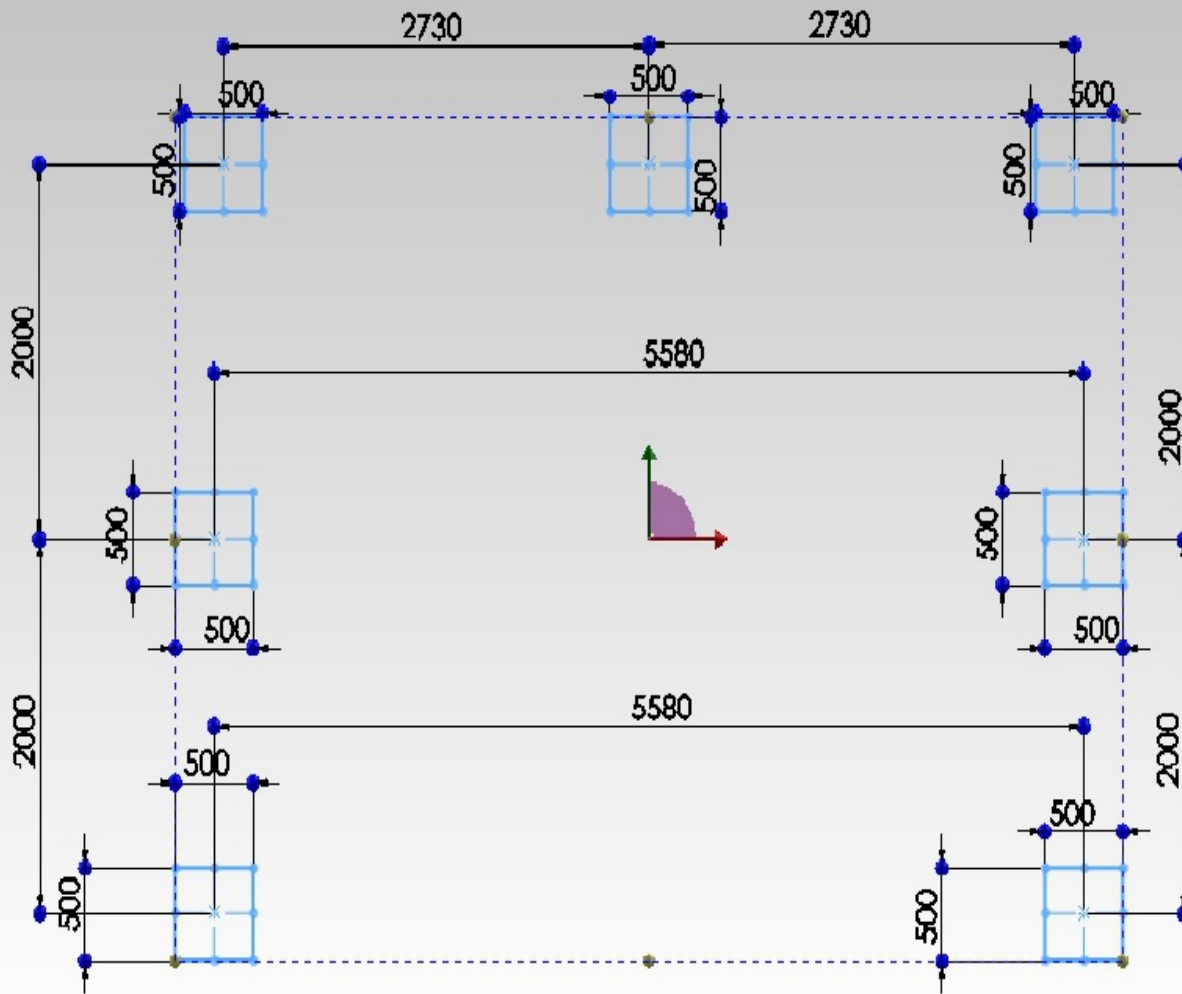
Before Starting Assembly

This carport must be assembled on a solid base,

Choose your site carefully before beginning assembly. Site surface (mainly below poles) needs to be level.

The carrier profiles must be buried in pits, anchored and should be filled with concrete





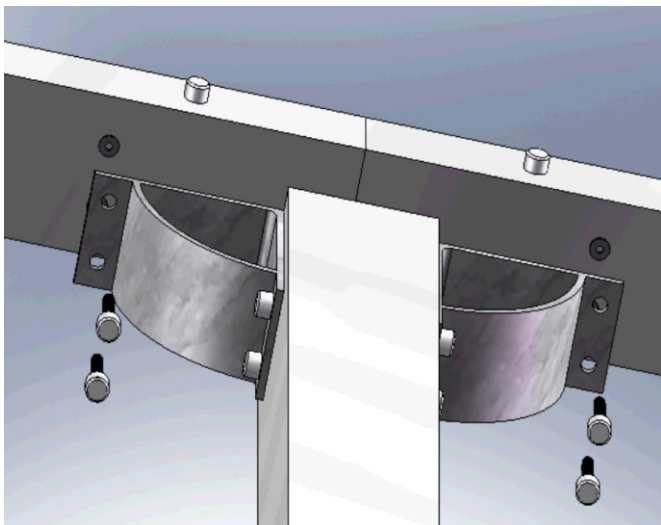
TRANSPAFORZA®
Canopies

Prepare the fixing hole to the ground 50x50x50 cm

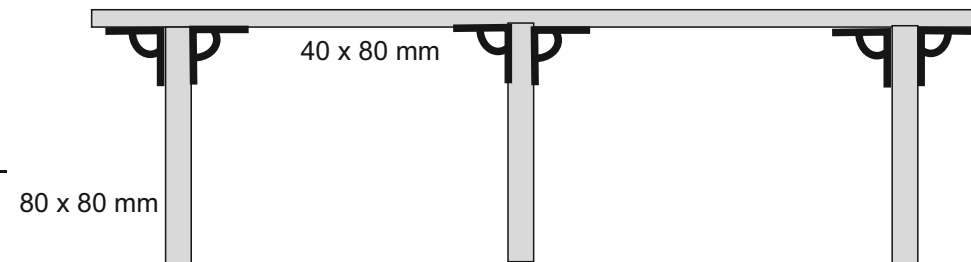
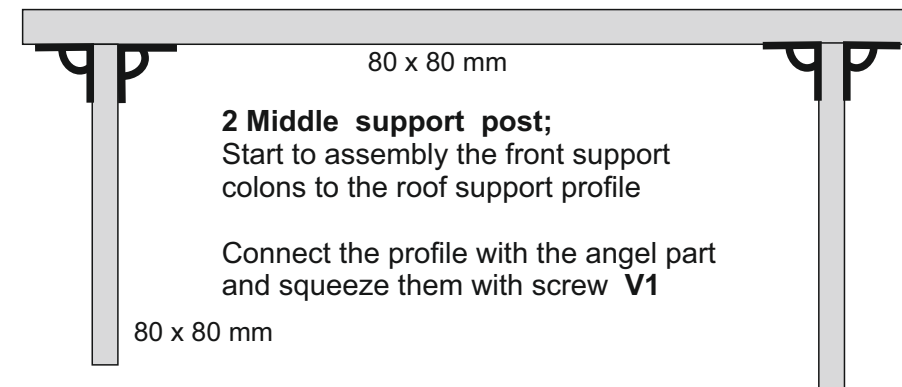
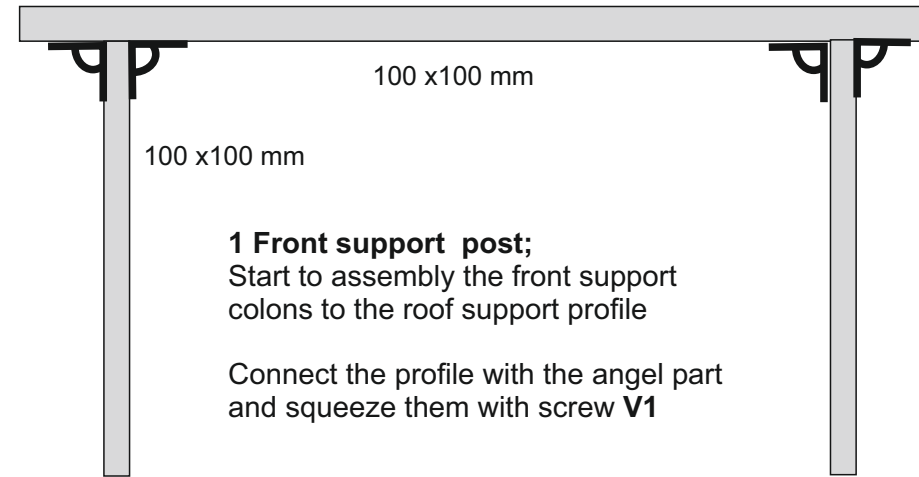
The post colon must be buried 50 cm

Preparations Of , support post profiles

- 1 Front post profiles 100 x100 mm
- 2 Middle support profiles 80 x 80 mm
- 3 Back side profiles 40 x 80 mm



Screw all the angled part with V 1

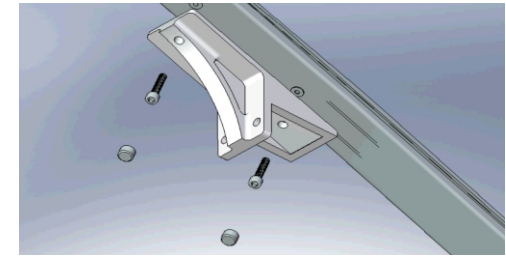
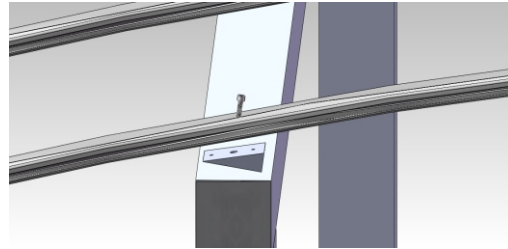


3 Back support post;
Start to assembly the front support colons to the roof support profile

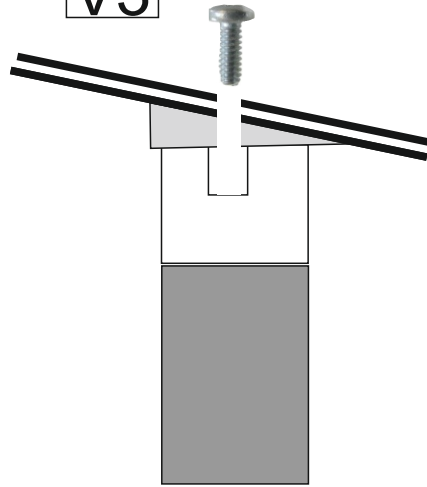
Connect the profile with the angel part and squeeze them with screw **V1**

INSTALLATION OF ROOFS PROFILES TO THE SUPPORT POST

V2



V3



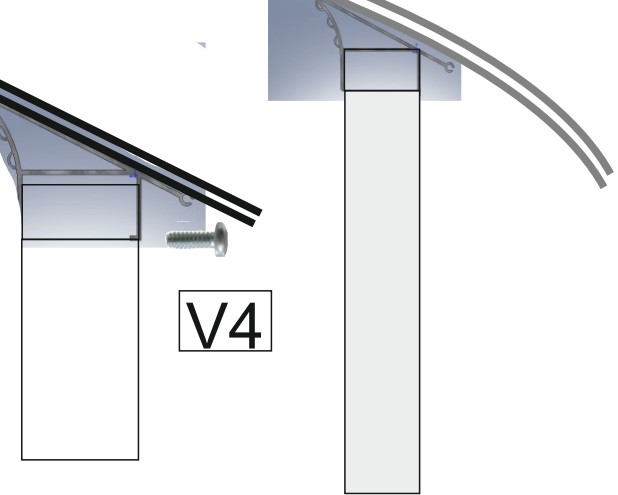
V4



V1



V4

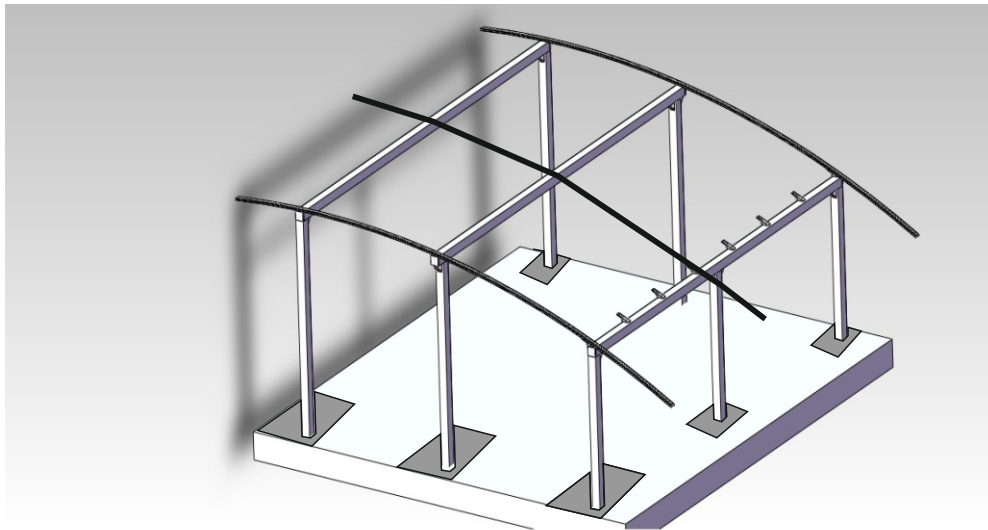


The roof profile are connected to the front post profile directly with the screw V2

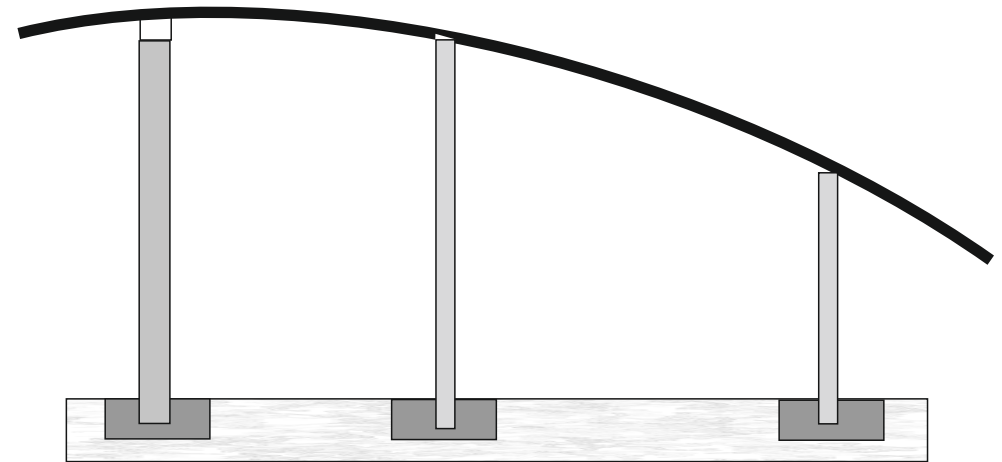
For the connections of roof profile to the middle support you place the triangle part between the roof and the post support than you screw the screw V3 the nut of profile

For the connections of roof profile to the back profile, first you connect the aluminium roof holder profile to the back support profile , fix them, with the screw

ALIGNMENT OF TF PLUS ON THE HOLLES

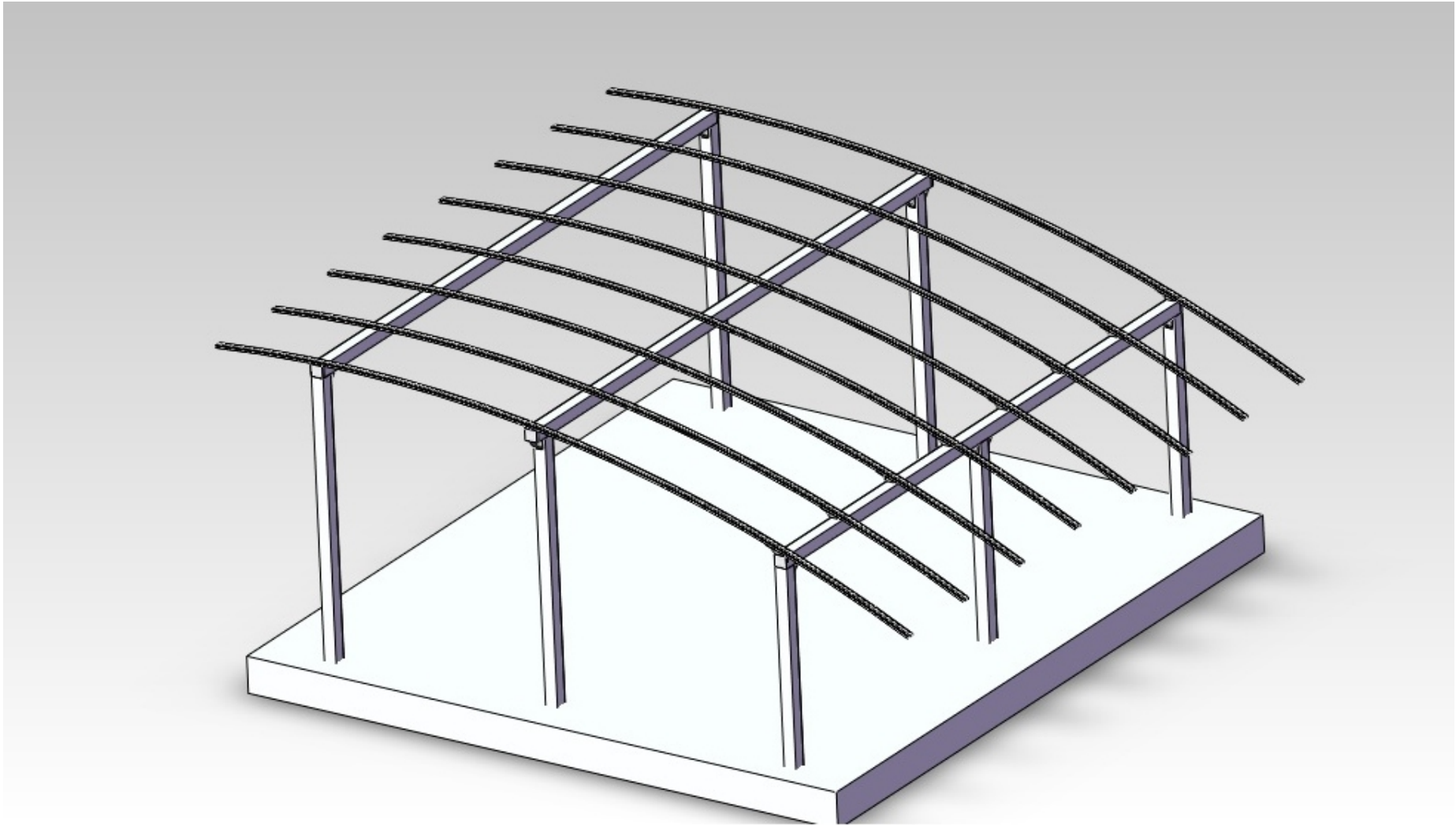


Assembly three profile to the front middle and back support profile



Once you have gauged the TF PLUS fill with concrete the holes

TRANSPAFORZA[®] ASSEMBLY OF ALL ROOF PROFILES

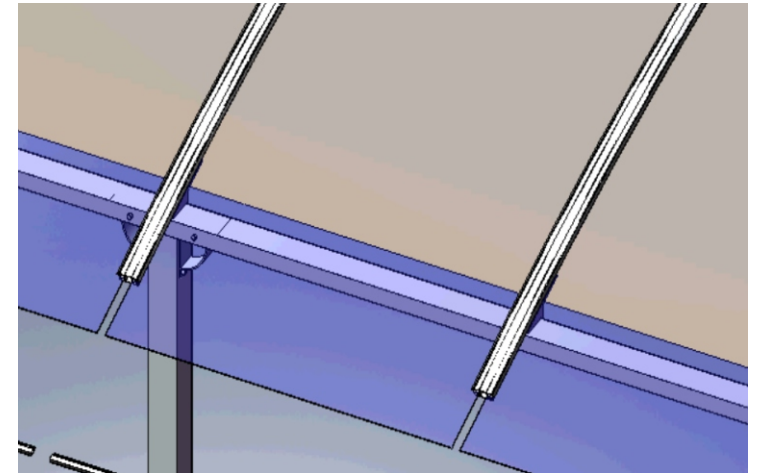
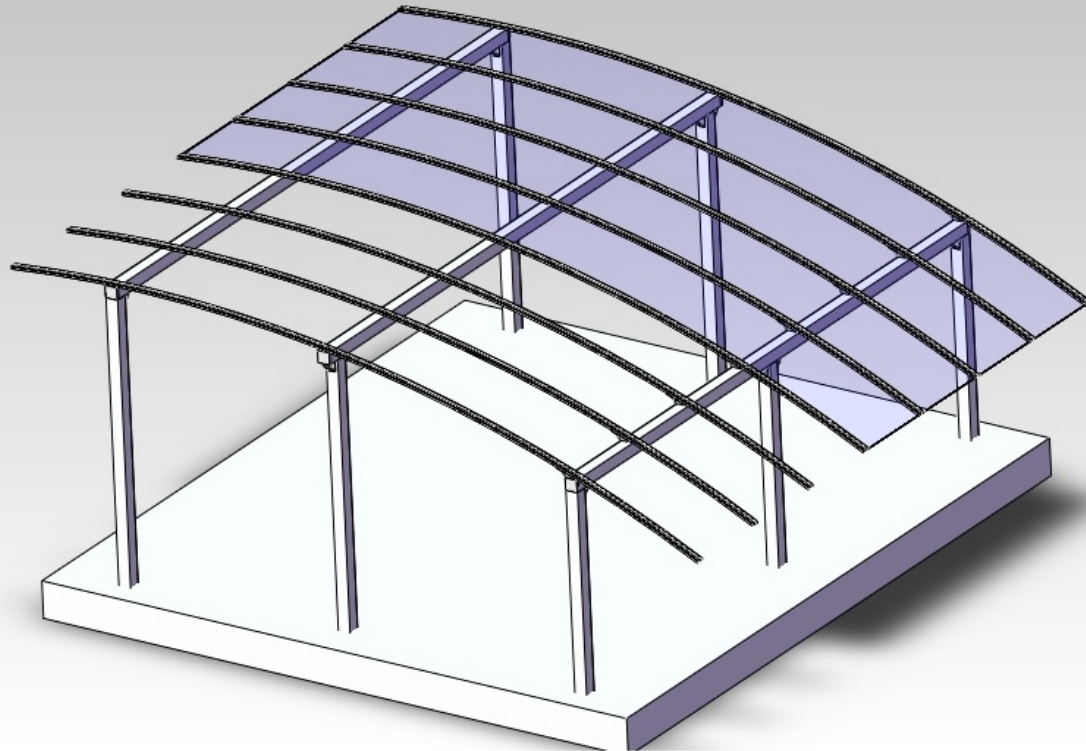


When the hole with concrete is completely dried , install all the roof profile with the same method

TRANSPAFORZA®

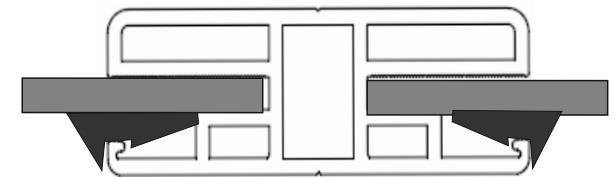
ASSEMBLY ROOF SHEETS

TRANSPAFORZA®



Dirve the roof panel between the two roof profiles.

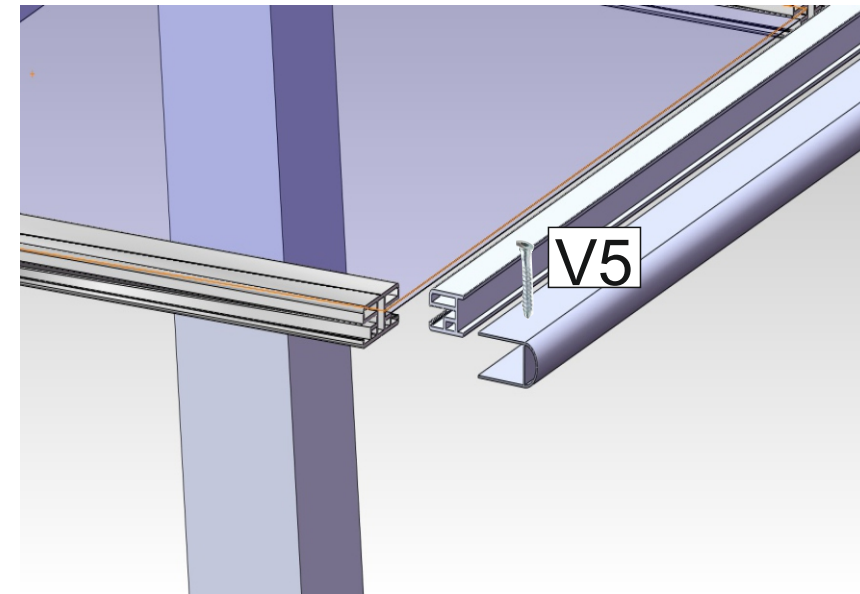
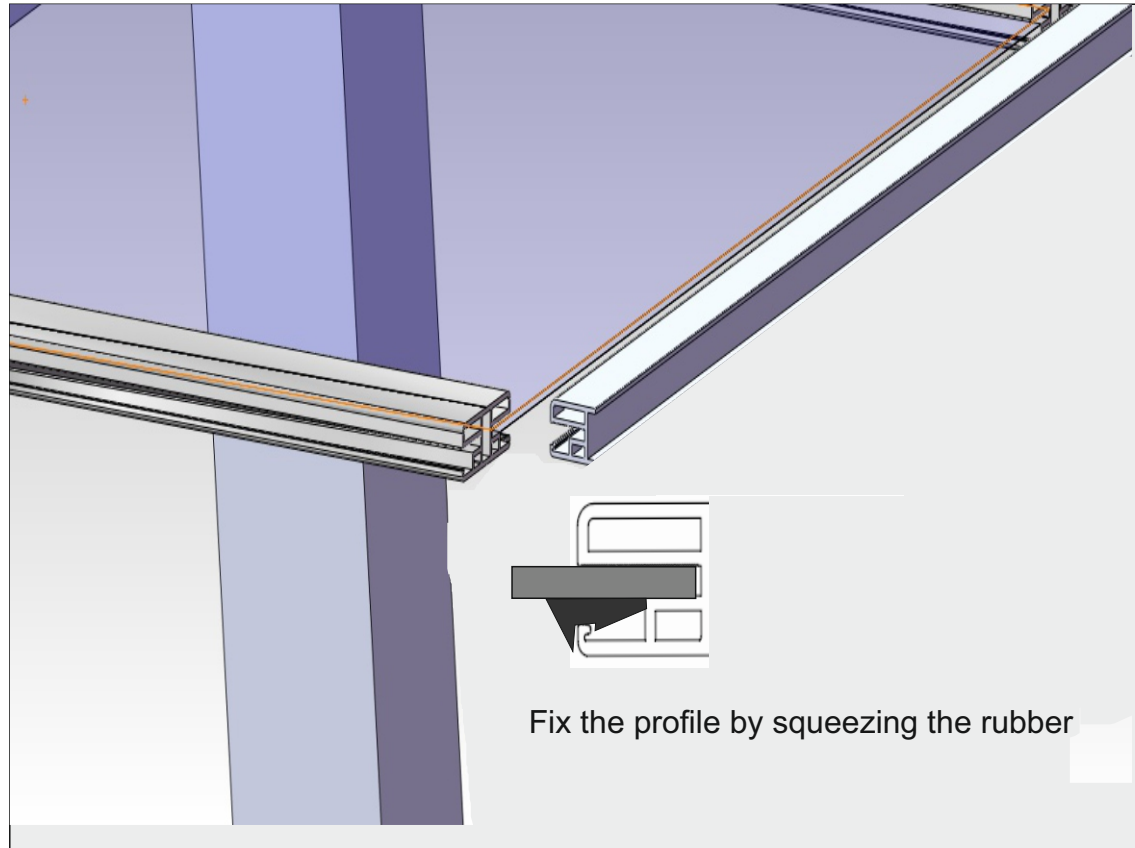
Roof Profile



Place the compression seal by squeezing it between the profile and the roof panel.

ASSEMBLY OF END SIDE ROOF SHEETS WITH END CAPS PROFILES

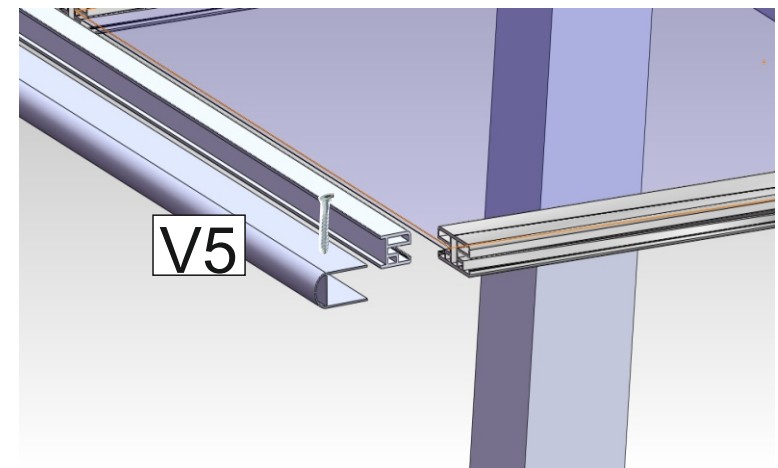
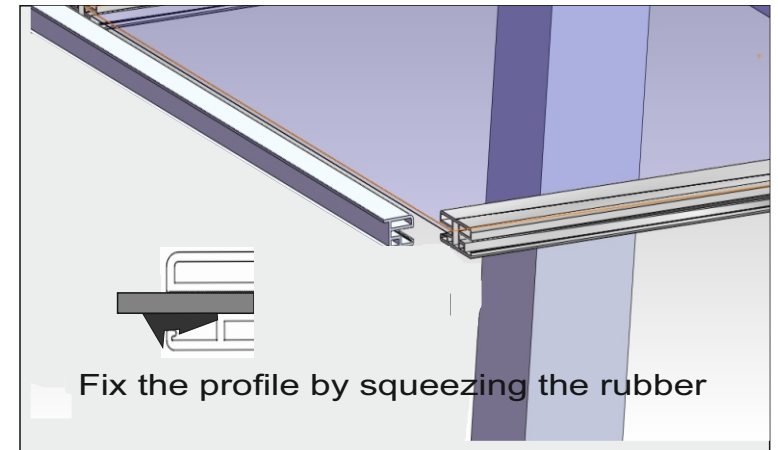
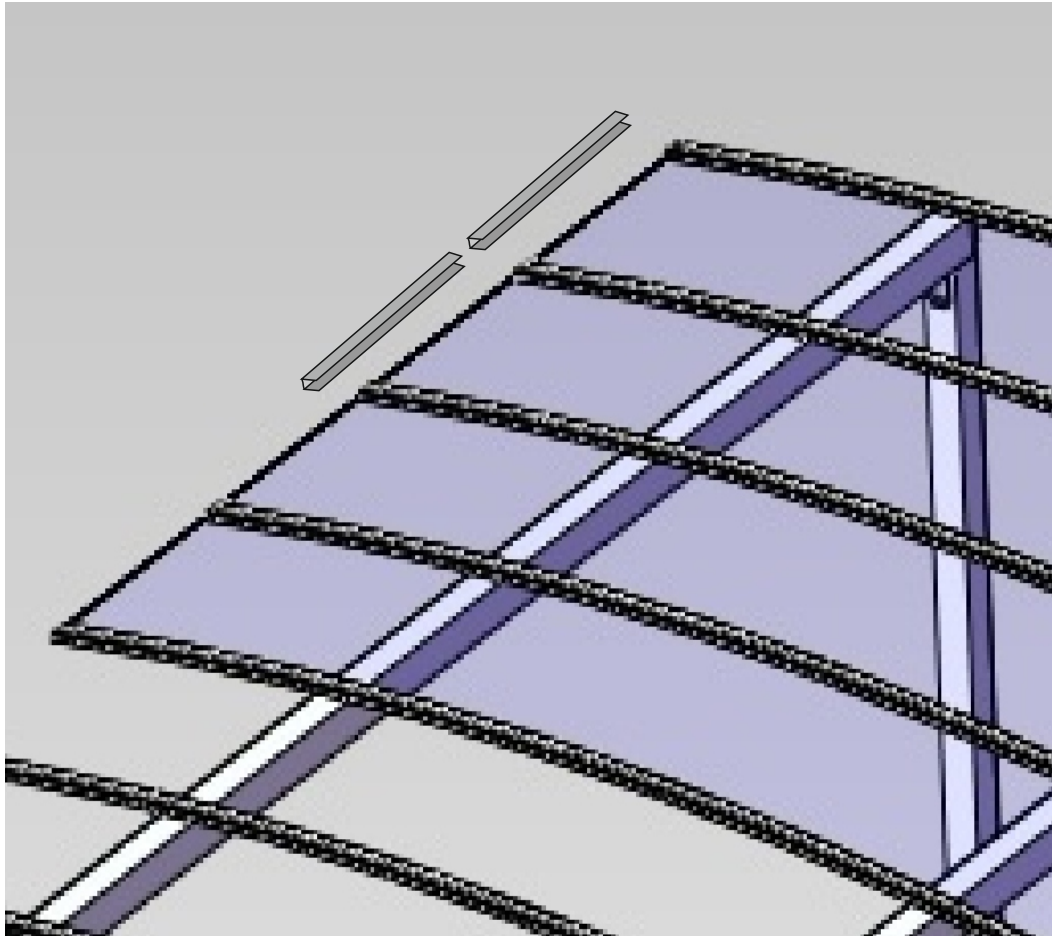
Insert and squeeze and fix the end part of roof sheets with the end frame profiles



After of holle placemet of end frame profile close all the frame profile with the end roof profile and screw with the screw .V5

ASSEMBLY OF FRONT SIDE ROOF SHEETS WITH END CAPS PROFILES

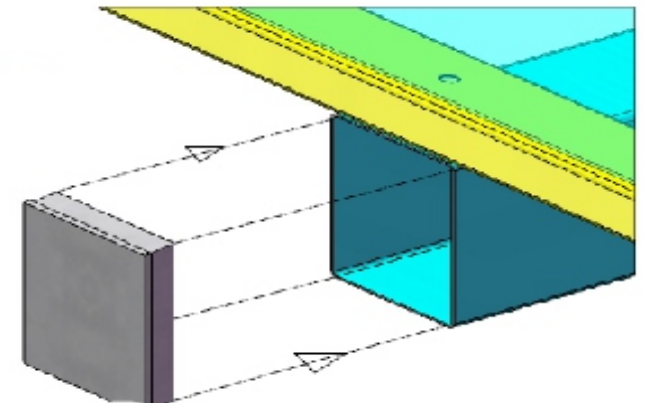
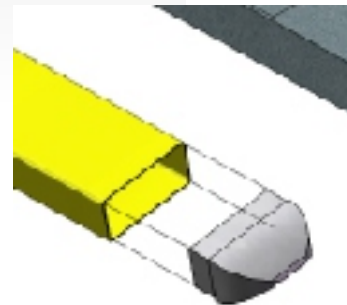
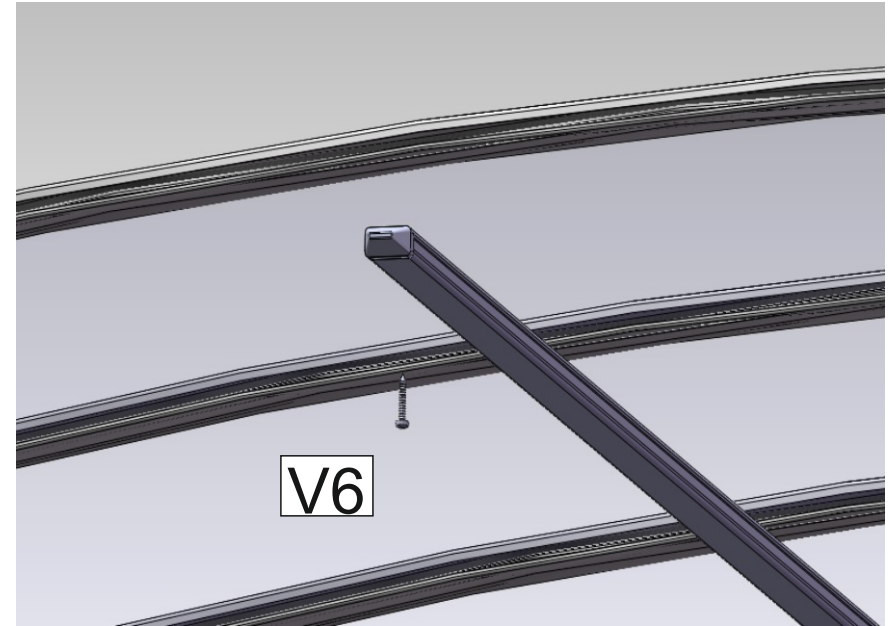
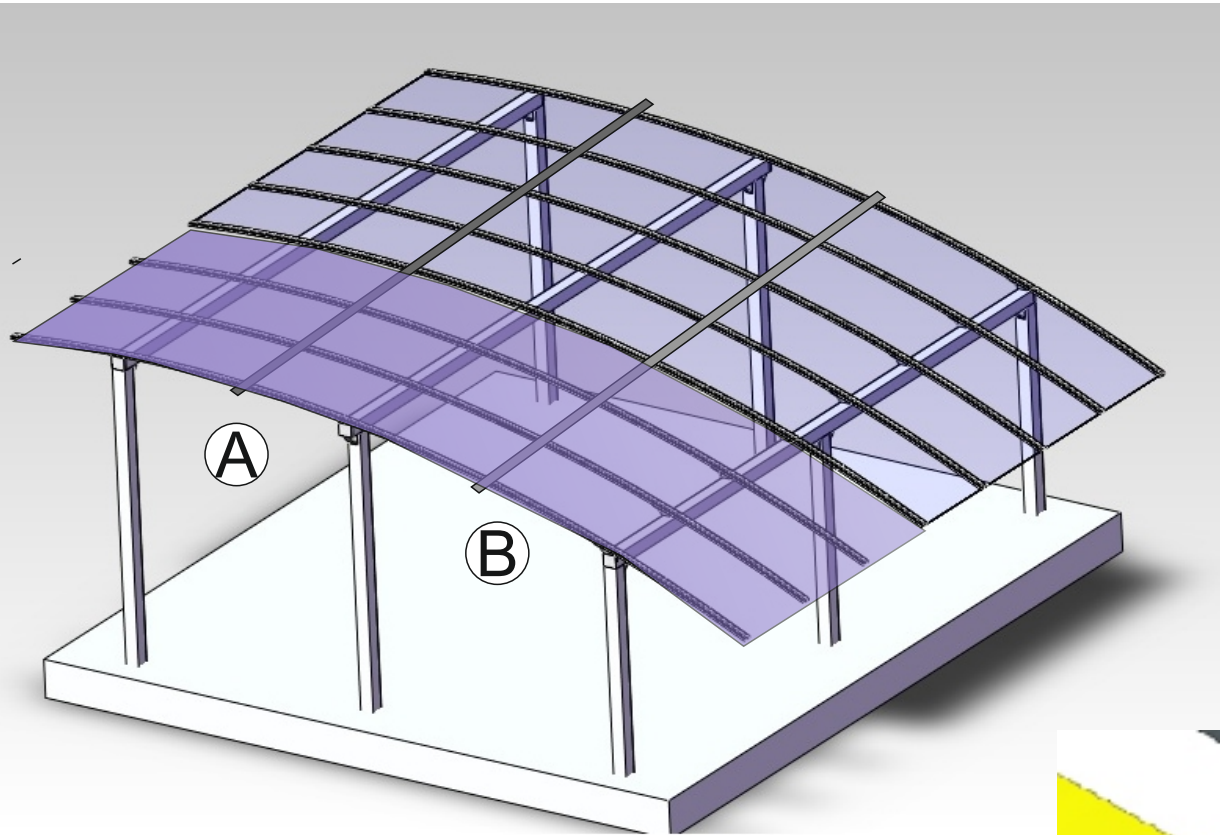
Insert and squeeze and fix the end part of roof sheets with the end frame profiles to the front of sheets



After of holle placemet of end frame profile close all the frame profile with the end roof profile from the front part and fix with the screw **V5**

CONNECTIONS OF ROOF SUPPORT PROFILES

Assembly the roof support profile to every roof profile with the screw V6



Close all aluminium profiles with the caps